

2025 RELEASE UNDER E.O. 14176

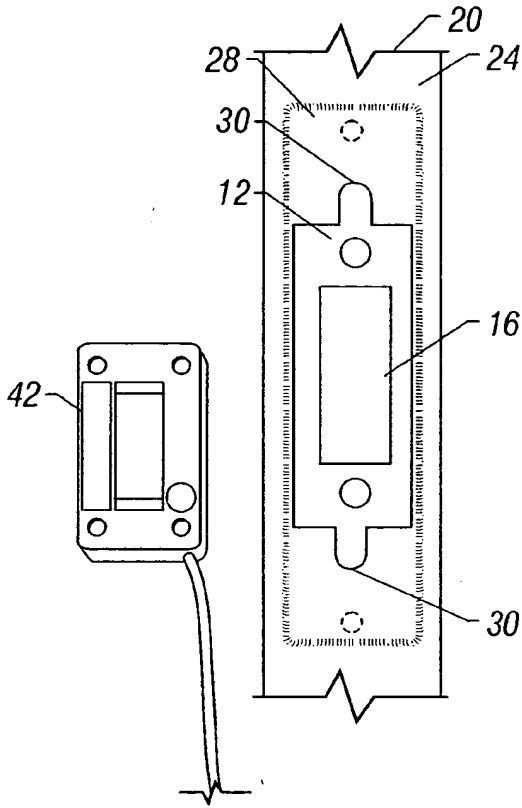


FIG. 3

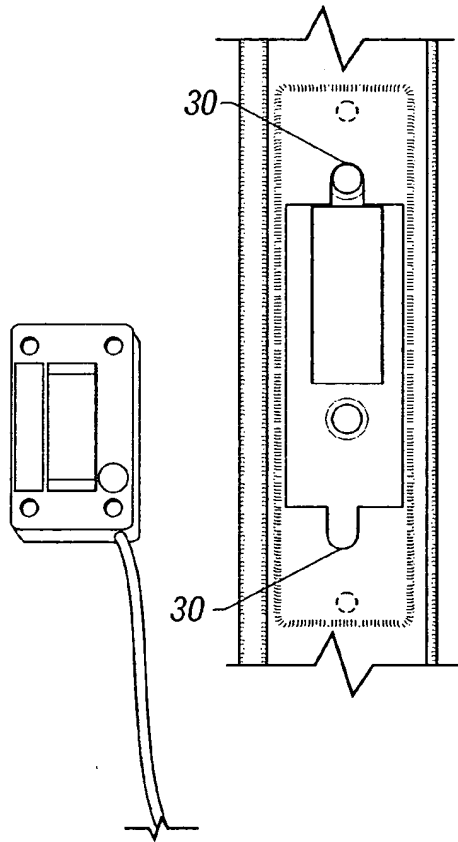


FIG. 4

ALL RIGHTS RESERVED BY THE UNITED STATES PATENT AND TRADEMARK OFFICE

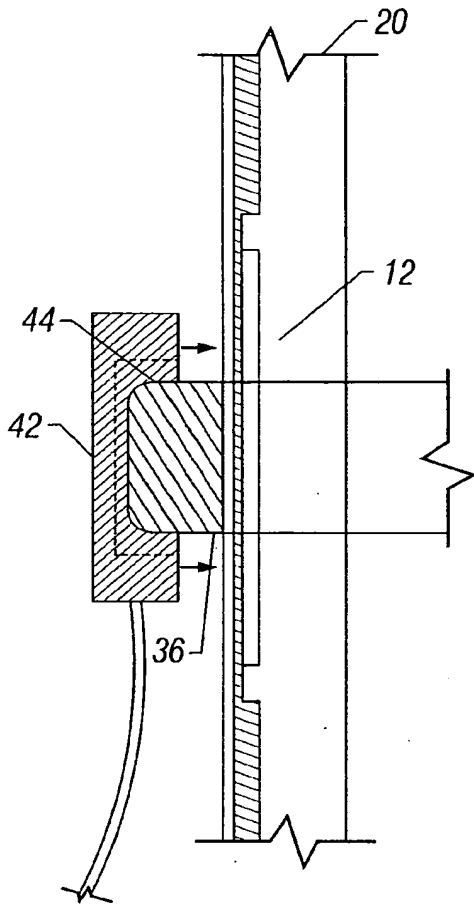


FIG. 5

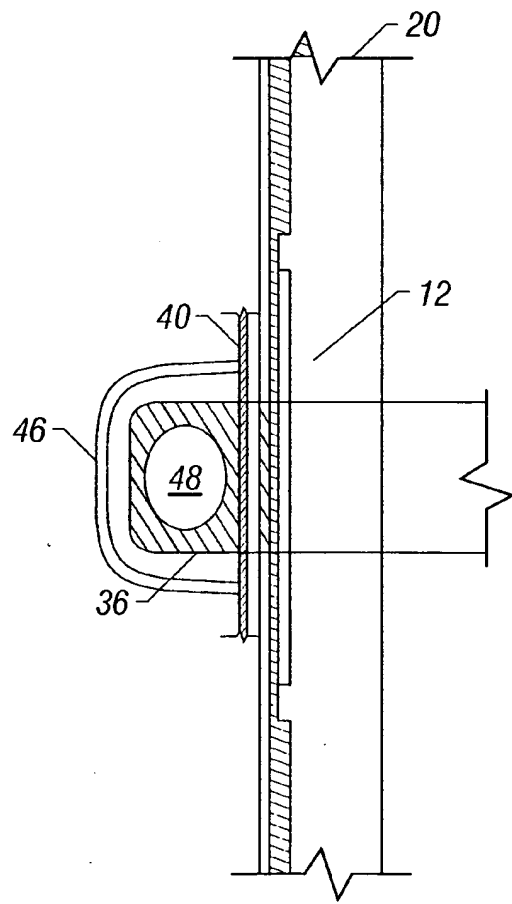


FIG. 6

2025 RELEASE UNDER E.O. 14176